

ADV-BL20DN-2C/M4-1/2.8



Features

- ◆ Vandalproof IR Dome Camera
- ◆ 1/2.7" 2.0 Megapixel CMOS Sensor
- ◆ 14μ x 12pcs IR-LED, IR Range 20M
- ◆ AI-Alloy Case, IP66.
- ◆ Built-in 2.8mm ICR Lens (6mm is Optional)

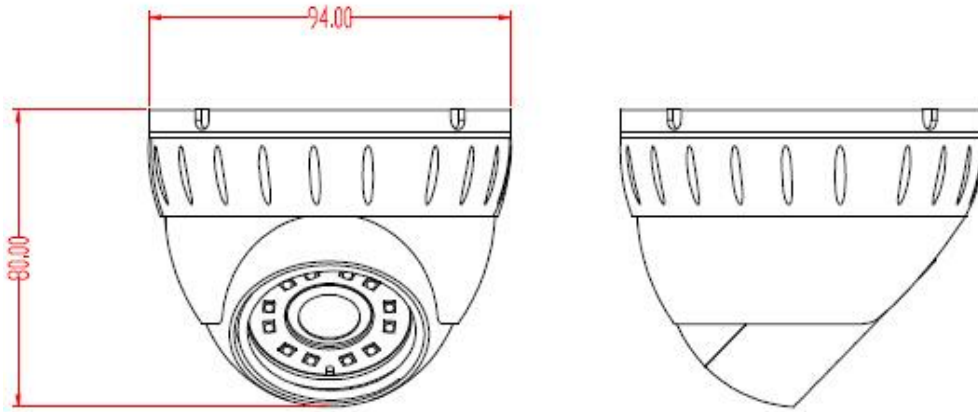


**2 YEARS
WARRANTY**

Specifications

Model Name	ADV-BL20DN-2C/M4-1/2.8
Image Device	1/2.7" 2.0 Megapixel CMOS Sensor
CMOS Sensor	F33
DSP Device	FH8536E
Picture Elements	1928(H)×1088(V) ,1080P
Min. Illumination	0.01Lux
TV System	PAL/NTSC
Lens Furnished	2.8mm ICR Lens (3.6mm,6mm is Optional)
Infrared Luminary	14μ x 12pcs IR-LED
Illuminate Distance	20 M
Wavelength	850 nm
Waterproofing Criterion	IP 66
S/N Ratio	More than 41dB
Electronic Shutter	AUTO/1/50(1/60)-1/50,000sec
OSD Menu	Yes
White Balance	AUTO
Noise Reduction	Digital Noise Reduction
WDR	D-WDR
Day&Night	EXT/B/W/Color/Auto
Sync. System	Internal
Video Output	1 Vp-p / 75 Ohms
Power Supply	DC12V±10%
Operation Temperature	-20°C ~ +50°C
Dimension	φ94 x 80 mm
Weight	450g

■ Size Chart



Design and specifications are subject to change without notice.